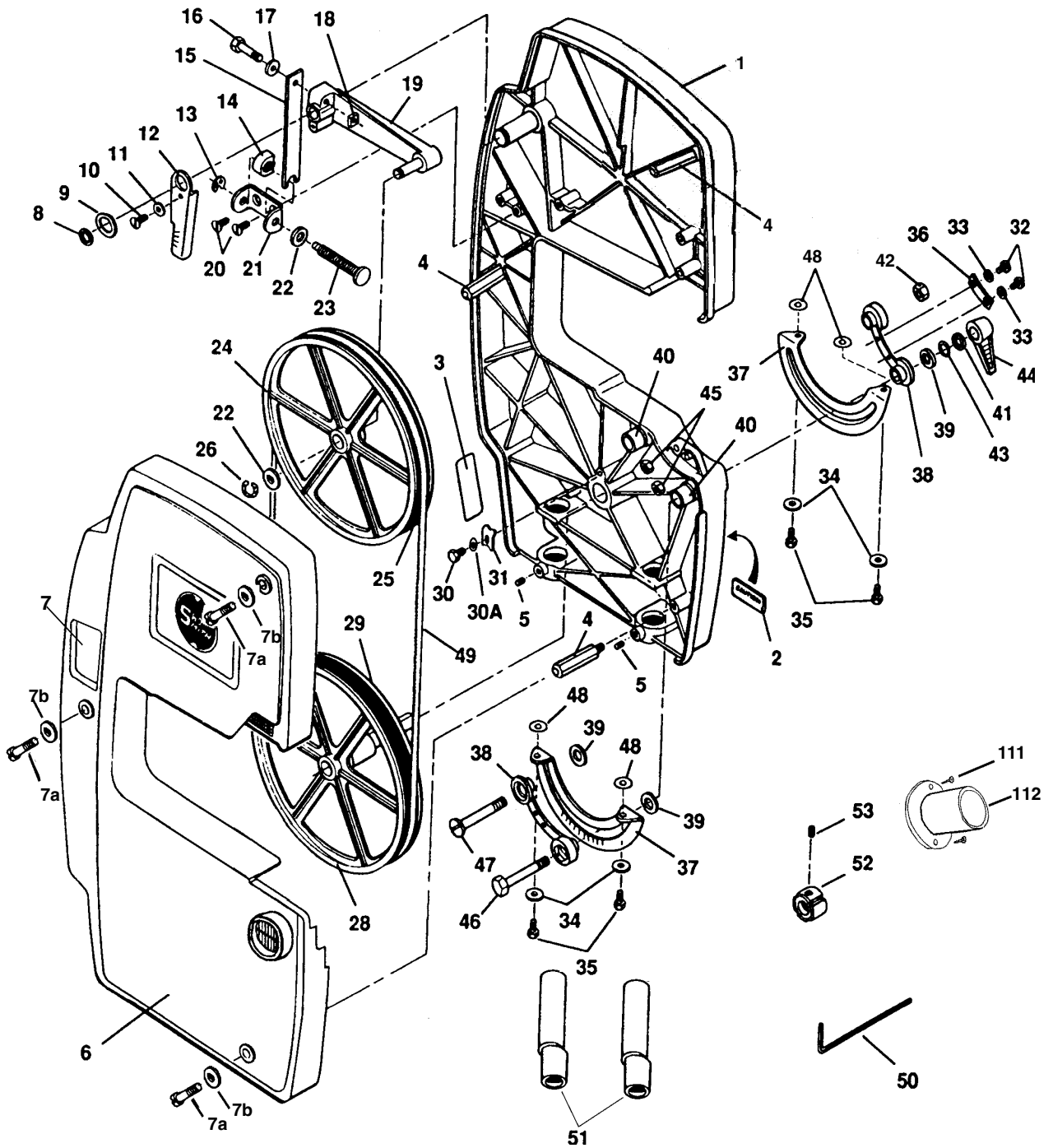




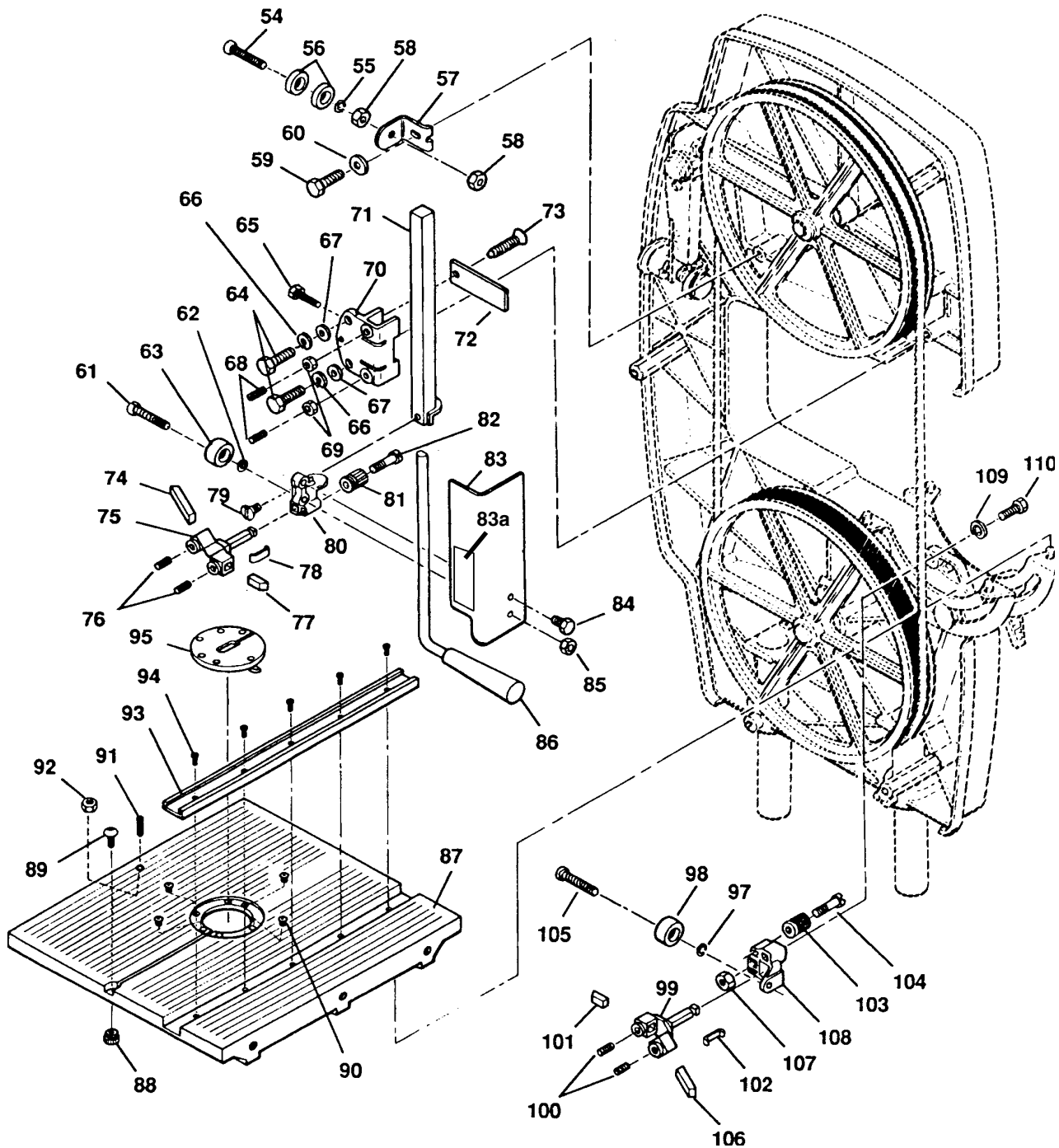
BANDSAW PARTS EXPLOSION

555943

Exploded View for Parts with Reference Numbers 1-53, 111-112



Exploded View for Parts with Reference Numbers 54-110



BANDSAW PARTS LIST - DOMESTIC

Ref. No.	Part No.	Item Description	Qty	Ref. No.	Part No.	Item Description	Qty
Frame and Cover				Auto-Track Blade Guide			
1	502542	Main Frame Assembly	1	54	514008	Shoulder Screw	1
2	514525	Label	1	55	120380	Lock Washer	1
3	*	Date Code Label	1	56	514011	Auto-Track Roller Bearing	2
4	522088	Hex Stud	3	57	502682	Mounting Bracket	1
5	102582	Allen Setscrew, 5-16"-18	2	58	120375	Hex Nut, 1/4"-20	2
6	502737	Cover	1	59	426367	Hex Bolt, 5/16"-18x3/4"	1
7	522217	Plastic Shield	1	60	120214	Lock Washer, 5/16"	1
7a	516027	Button Head Screw	3	Upper Blade Guide and Guard			
7b	522087	Washer	3	61	514008	Shoulder Screw	1
Blade Tensioning Assembly				62	120380	Lock Washer	1
8	501626	Retaining Ring	1	63	514007	Roller Bearing	1
9	502700	Thrust Washer	1	64	122017	Hex Bolt, 5/16"-18x3/4"	2
10	436732	Panhead Screw, 10-24x1/2"	1	65	517908	Nylon Bolt	1
11	501470	Washer, 7/32"	1	66	120214	Lock Washer, 5/16"	2
12	502690	Tension Indicator Scale	1	67	120393	Washer, 3/16"	2
13	502686	Retainig Ring	1	68	502552	Headless Slot Setscrew, 5/16"	2
14	5027029	Blade Tensioning Nut	1	69	124824	Jam Nut, 5/16"	2
15	502701	Tension Spring	1	70	5025499	Guide Column Bracket	1
16	122040	Hex Bolt, 5/16"-18x1-1/2"	1	71	5025549	Blade Guide Column Post	1
17	120393	Washer, 5/16"	1	72	502550	Guide Lock Spring	1
18	120373	Square Nut, 5/16"	1	73	515412	Special Screw, 5/16"-18x1-3/8"	1
19	517640	Upper Wheel Arm and Axle	1	74	502657	Upper Long Guide Block	1
20	114663	Flathead screw, 5/16"-18x3/4"	2	75	5025779	Guide Block Bracket	1
21	502685	Bracket	1	76	222458	Allen Setscrew	2
22	502704	Fiber Washer	2	77	502656	Short Guide Block	1
23	502703	Left-hand Special Screw	1	78	502575	Guide Block Spring	1
Upper Wheel				79	501637	Flat Head Screw	1
--	502691	Upper Wheel Assy (incl. 24, 25)		80	5025589	Upper Guide Bracket	1
24	*	Upper Wheel and Bearings	1	81	502574	Guide Adjusting Knob	1
25	*	Rubber Tire	1	82	502659	Filister Head Screw, 10-24x1-1/4"	1
26	517642	Retaining Ring	1	83	502730	Blade Guard Assembly (incl 83a)	1
27	Not Used			83a	522216	Blade Guard Warning Label	1
Lower Wheel				84	120706	Hex Bolt, 1/4-20x1/2"	1
--	509032	Lower Wheel Assy (Incl. 28,29)		85	124818	Jam Nut, 1/4-20	1
28	*	Lower Wheel, Bearing and Axle	1	86	502555	Height Lock Handle Assembly	1
29	*	Rubber Tire	1	Table			
30	120834	Hex Bolt, 5/16"-18x1/2"	1	87	516113	Bandsaw Table	1
30a	120214	Washer	1	88	503782	Knurled Nut	1
31	502726	Bearing Retainer	1	89	126315	Carriage Bolt	1
Table Trunnions				90	515954	Flathead Leveling Screws	4
32	517635	Panhead Screw, 10-24	2	91	516571	Sockethead Screw, 5/16-18x1"	1
33	501470	Washer, 7/32"	2	92	124824	Hex Nut	1
34	120393	Washer, 5/16"	4	93	516165	T-Slot Extrusion	1
35	426367	Hex bolt, 5/16"-18x1/2"	4	94	516043	Flat Head Leveling Screw	5
36	502667	Tilt Indicator Scale	1	95	516173	Table Insert Assembly	1
37	502675	Trunnion	2	96	516029	#0 Phillips Hd Screwdriver (not shown)	1
38	515013	Trunnion Support	2	Lower Blade Guide			
39	402676	Washer, 19/32"	3	97	120380	Lock Washer	1
40	517021	Bushing	2	98	514007	Roller Bearing	1
41	120394	Washer, 3/8"	1	99	5025779	Guide Block Bracket	1
42	517084	Stop Nut, 3/8"-24	1	100	222458	Set Screw	2
43	502699	Thrust Washer	1	101	502656	Short Guide Block	1
44	513061	Tilt Lock Assembly	1	102	502575	Guide Block Spring	1
45	274737	Hex Nut, 10-24	2	103	502574	Guide Adjusting Knob	1
46	516438	Table Clamp Bolt, 3/8"-24x3"	1	104	502659	Fillisterhead Screw	1
47	517085	Screw	1	105	514008	Shoulder Screw	1
48	514053	Thin Shim Washer	4	106	502666	Lower Long Guide Block	1
Miscellaneous				107	102634	Hex Nut, 5/16"-18	1
49	555419	Blade	1	108	5025809	Lower Guide Bracket	1
50	51368601	Allen Wrench, 5/32"	1	109	120214	Lock Washer, 5/16"	1
51	5137779	Eccentric Mounting Tube	2	110	122017	Hex Bolt, 5/16-18x1"	1
52	503740	Drive Hub (Incl. 53)	1	--	522251	Power Coupler Cover Asm. (incl 111, 112) ..	1
53	222458	Setscrew	1	111	448027	Screw	2
				112	522219	Power Shaft Cover	1

* Sold only as part of an assembly.

Customer Services:

Where to write:

- Send inquiries to:
Shopsmith, Inc.
Customer Services Department
6530 Poe Avenue
Dayton, Ohio 45414-2527

Where to Call:

Shopsmith maintains toll-free telephone numbers during normal business hours.

- For technical service, call:
1-800-762-7555 (Continental US, Hawaii, Alaska, Puerto Rico, and US Virgin Islands)
1-937-898-6070 x-376 (Dayton OH area and Canada)

To place an order:

1-800-543-7586 (Continental US, Hawaii, Alaska, Puerto Rico, and US Virgin Islands)
1-937-898-6070 x-375 (Dayton OH area and Canada)
1-800-722-3965 to Fax your order.
Or visit our full service website and order on line. log onto www.shopsmith.com

Where to E-mail:

- Send questions and inquires to:
technicalsupport@shopsmith.com

When you contact us, please tell us your Customer Number and Date Code of your equipment. (Your customer number appears on the invoice and mailing labels of the literature we send to you. The date code is located on the serial label sticker on your machine). To keep them handy, please write in the allotted spaces below.

